

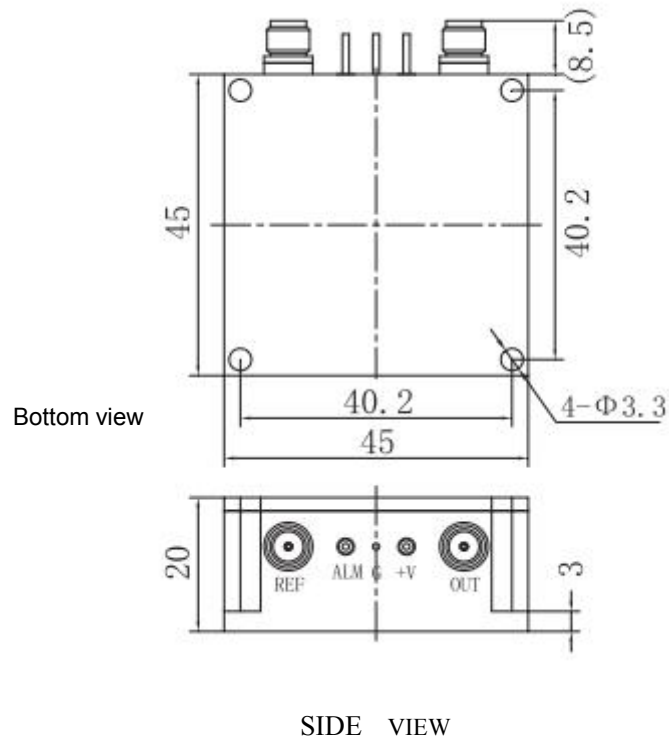
**PLL ANTI-VIBRATION OCXO****MODEL: SPXO11V-10M-100M****FEATURES****Low Vibration Phase Noise (-150dBc/Hz@1kHz)****Integrated low noise OCXO & PLL****ELECTRONIC PARAMETERS**

Parameters		Conditions	Min.	Typ	Max.	Units
Nominal Frequency		—	100.000			MHz
Supply voltage		—	11.4	12	12.6	V
Package size		—	45×45×20			mm
Power consumption		During warm up	—	—	4.8	Watts
		Steady state @ 25°C	—	—	2.4	Watts
Freq. stability vs. load		Without REF, $R_L \pm 5\%$	—	—	± 2	ppb
Freq. stability vs. supply voltage		Without REF, $V_{DD} \pm 5\%$	—	—	± 2	ppb
Initial tolerance		Without REF	—	—	± 0.5	ppm
Lock indication level		@ locked	3.0	—	—	V
Aging	per day	After 30 days of continues operation	—	—	± 5	ppb
	per 1st year		Without REF	—	—	± 0.3
Operating temperature range		—	-40	—	70	°C
Storage temperature range		—	-55	—	85	°C
Output wave		—	SINWAVE			—
Output power		$V_{DD}=12V$	8	10	12	dBm
Output load		—	—	50	—	Ω
Harmonics		—	—	—	-30	dBc
Spurious		—	—	—	-70	dBc
Phase noise		Steady state	Dynamic state			
	@ 1kHz offset	-160	-145		dBc/Hz	
	@ 10kHz offset	-165	-160		dBc/Hz	
	@ 100kHz offset	-170	-165		dBc/Hz	

Requirement on REF

Parameters	Conditions	Min.	Typ	Max.	Units
Nominal Frequency	—	10.000			MHz
Initial tolerance	—	—	—	± 0.5	ppm
Signal power	50 Ω load	0	—	10	dBm
Phase noise	@ 10Hz	—	—	-120	dBc/Hz

PACKAGE



PIN DESCRIPTION

REF: REF Signal Input

ALM: Lock Indication

G : Ground Case

+V: Supply Voltage

OUT: RF Output

Notes: Consult factory about other frequencies or special requirement.