

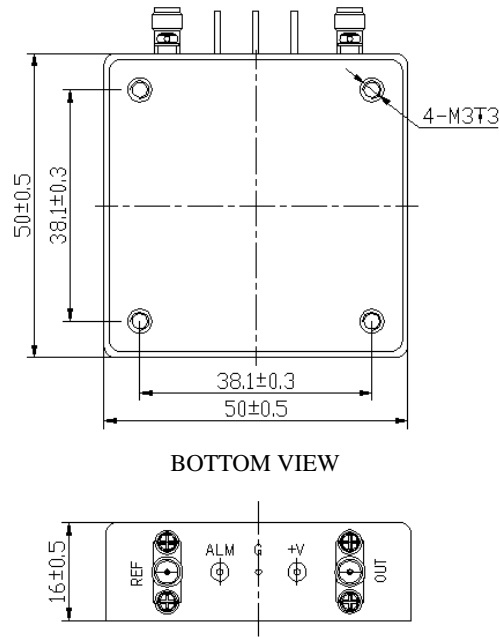
**PLL LOW PHASE NOISE OCXO****MODEL: SPXO11-10M-100M****FEATURES****Low Phase Noise (-160dBc/Hz@1kHz)****Integrated low noise OCXO & PLL****Wide Frequency Range (up to 160MHz)****ELECTRONIC PARAMETERS**

Parameters		Conditions	Min.	Typ	Max.	Units
Nominal Frequency		—	100.000			MHz
Supply voltage		—	11.4	12	12.6	V
Package size		—	50×50×16			mm
Power consumption		During warm up	—	—	4.8	Watts
		Steady state @ 25°C	—	—	2.4	Watts
Freq. stability vs. load		Without REF, $R_L \pm 5\%$	—	—	± 2	ppb
Freq. stability vs. supply voltage		Without REF, $V_{DD} \pm 5\%$	—	—	± 2	ppb
Initial tolerance		Without REF	—	—	± 0.5	ppm
Lock indication level		@ locked	3.0	—	—	V
Aging	per day	After 30 days of continues operation	—	—	± 5	ppb
	per 1st year		—	—	± 0.5	ppm
	per 10 years	Without REF	—	—	± 0.3	ppm
Operating temperature range		—	-40	—	70	°C
Output wave		—	SINWAVE			—
Output power		$V_{DD}=12V$	8	10	12	dBm
Output load		—	—	50	—	Ω
Harmonics		—	—	—	-30	dBc
Spurious		—	—	—	-70	dBc
Phase noise	@ 10Hz offset	@ 100MHz	—	—	-100	dBc/Hz
	@ 100Hz offset		—	—	-130	dBc/Hz
	@ 1kHz offset		—	—	-160	dBc/Hz
	@ 10kHz offset		—	—	-170	dBc/Hz
	@ 100kHz offset		—	—	-170	dBc/Hz

Requirement on REF

Parameters	Conditions	Min.	Typ	Max.	Units
Nominal Frequency	—	10.000			MHz
Initial tolerance	—	—	—	± 0.5	ppm
Signal power	50 Ω load	0	—	5	dBm
Phase noise	@ 10Hz	—	—	-130	dBc/Hz

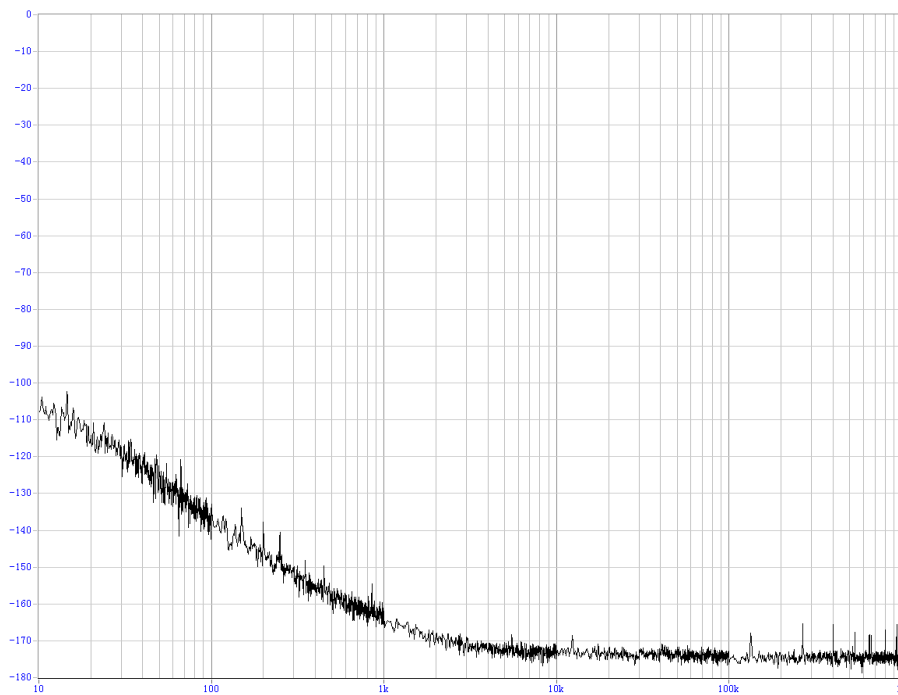
PACKAGE



PIN DESCRIPTION

- REF: REF Signal Input
- ALM: Lock Indication
- G : Ground Case
- +V: Supply Voltage
- OUT: RF Output

TYPICAL SSB PHASE NOISE



Notes: Consult factory about other frequencies or special requirement.